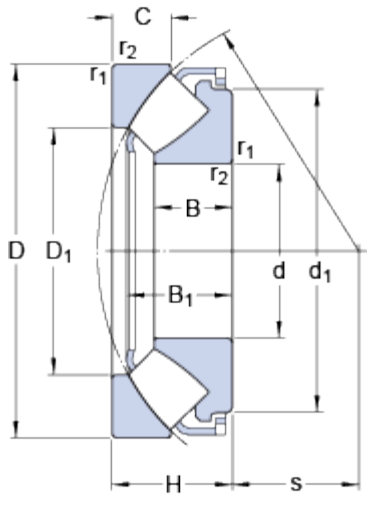


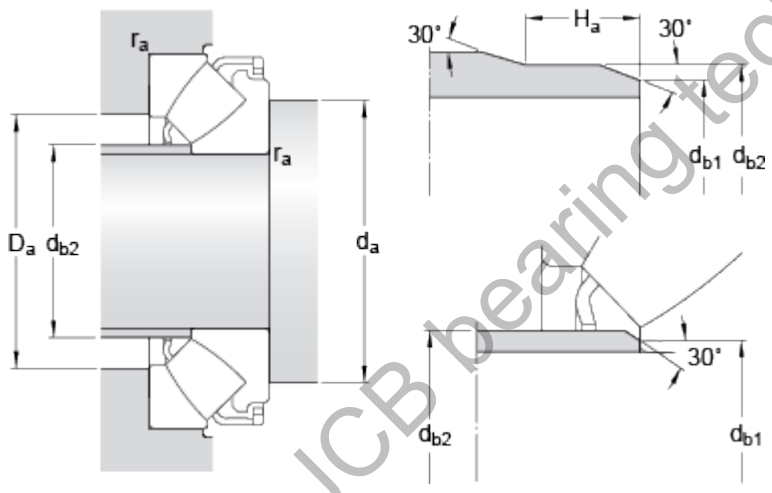
▶
29240 E

Dimensions



d	200	mm
D	280	mm
H	48	mm
d ₁	≈ 260	mm
D ₁	≈ 233	mm
B	30	mm
B ₁	43.4	mm
C	24	mm
s	108	mm
r _{1,2}	min. 2	mm

Abutment dimensions



d _a	min. 235	mm
d _{b1}	max. 206	mm
d _{b2}	max. 207	mm
H _a	min. 17	mm
D _a	max. 253	mm
r _a	max. 2	mm

Calculation data

Basic dynamic load rating	C	656	kN
Basic static load rating	C ₀	2650	kN
Fatigue load limit	P _u	285	kN
Reference speed		1400	r/min
Limiting speed		2200	r/min
Minimum axial load factor	A	0.67	

Mass

Mass bearing		9.3	kg
--------------	--	-----	----